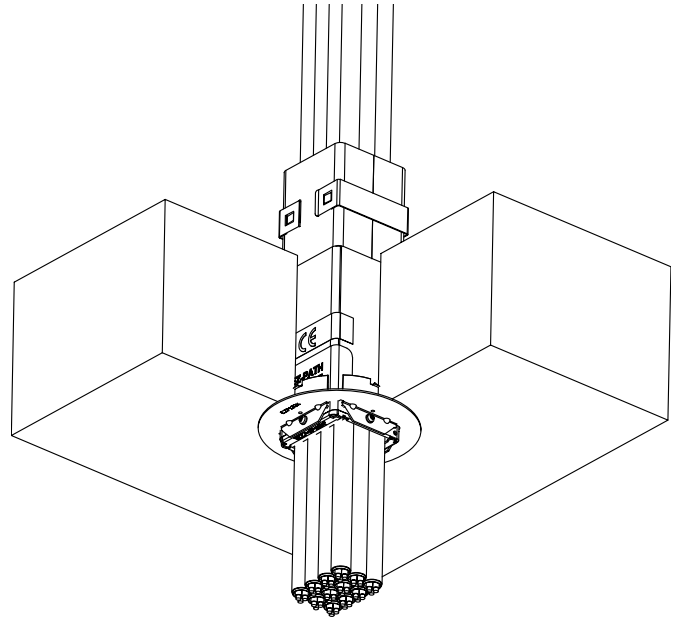
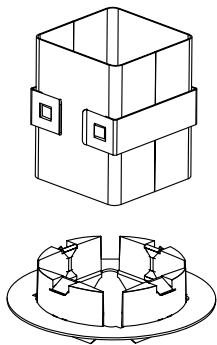


### Rigid floors

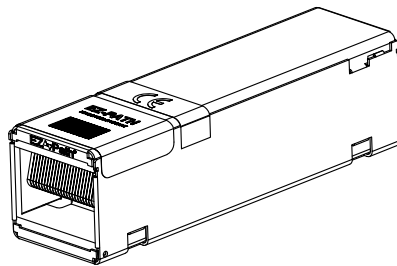
Wall thickness	Minimum 150 mm
Ø max cable	Ø21 mm
Cable loading	Empty to 100%
Opening size	Ø 102 mm
Performance	EI 120
Fire resistance	EN 1366-3
Certification	ETA - 13/0887



Not at scale. Units in millimeters  
Please refer to STI installation instruction ZIS1083



EZP133KT



EZD33T

