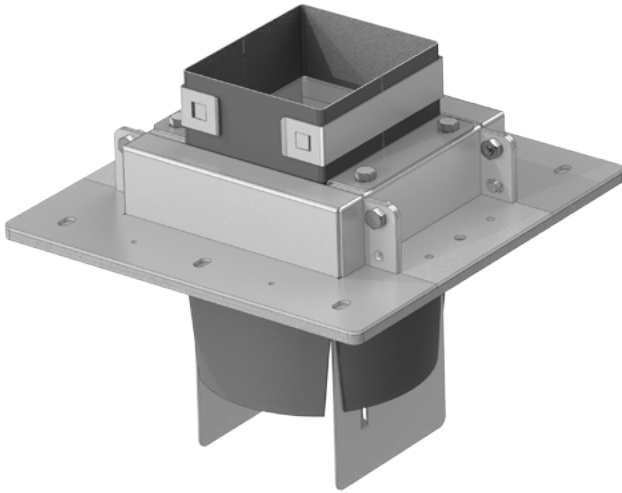


### EZG144T

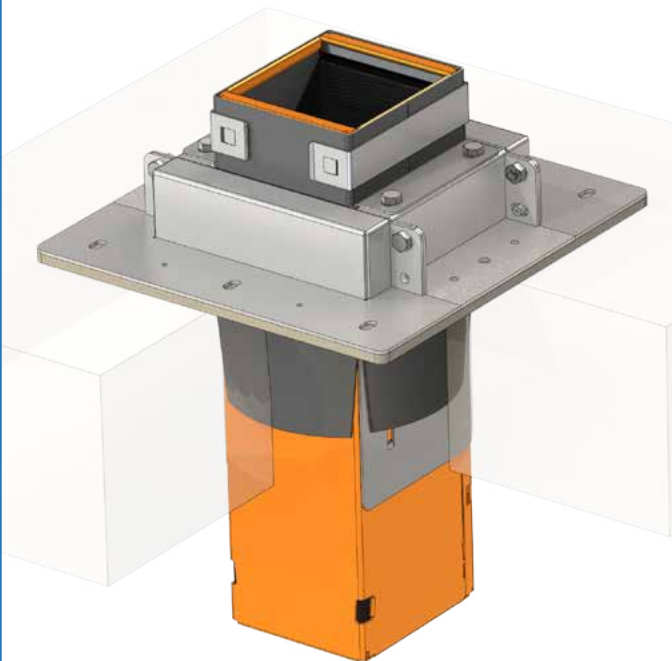


### 1 X EZD44T



EZD44T to be ordered separately.

### EZG144T + ESD44T



### Ordering Information



EZG144T



3.2



1

### Applications

- For all types of cables ( max ø80mm)
- Rigid floors

### Firestop Handling

No handling required for fire safety compliance.

### Dimensions

Plate Dimensions: 274 X 263 X 53 mm

Opening Dimensions: ø152mm



