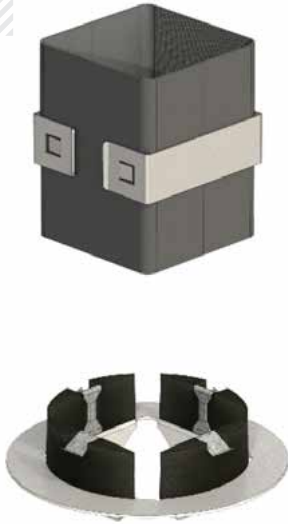


### EZP133KT

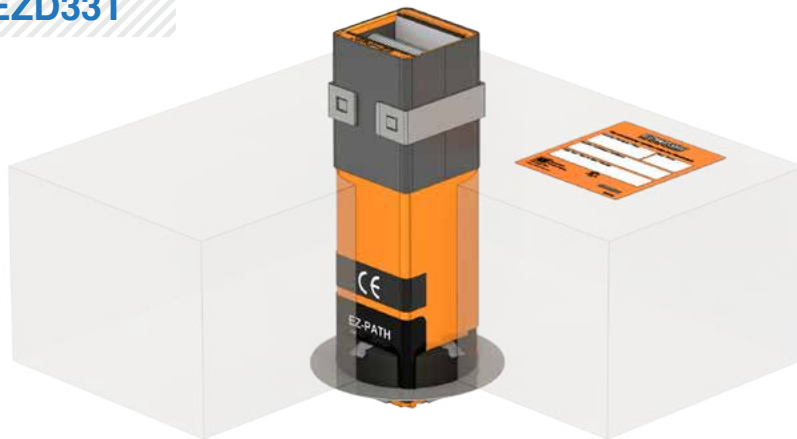


### 1 X EZD33T



EZD33T to be ordered separately.

### EZP133KT + EZD33T



### Ordering Information



EZP133KT



0.3



1

### Applications

- For all types of cables ( max  $\varnothing$ 21mm)
- Rigid floors

### Performance

European Technical Approval ETA –13/0887

### Firestop Handling

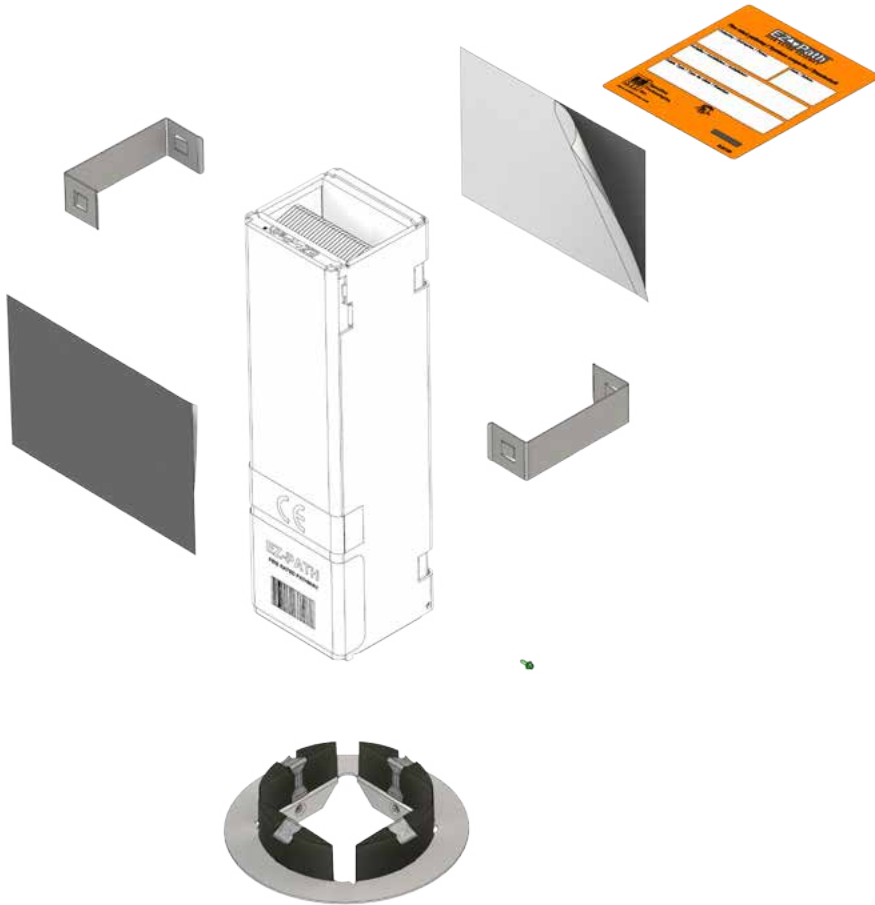
No handling required for fire safety compliance.

### Dimensions

Plate Dimensions:  $\varnothing$ 140

Opening Dimensions:  $\varnothing$ 102 mm





A	1X	
B	2X	
C	2X	
D	1X	
E	1X	

