

EZP133CWT



1 X EZD33T



EZD33T to be ordered separately.

EZP133CWT + EZD33T



Ordering Information



EZP133CWT



0.4



1

Applications

- For all types of cables (max $\varnothing 50\text{mm}$)
- Rigid walls, flexible walls

Performance

European Technical Approval ETA – 13/0887

Firestop Handling

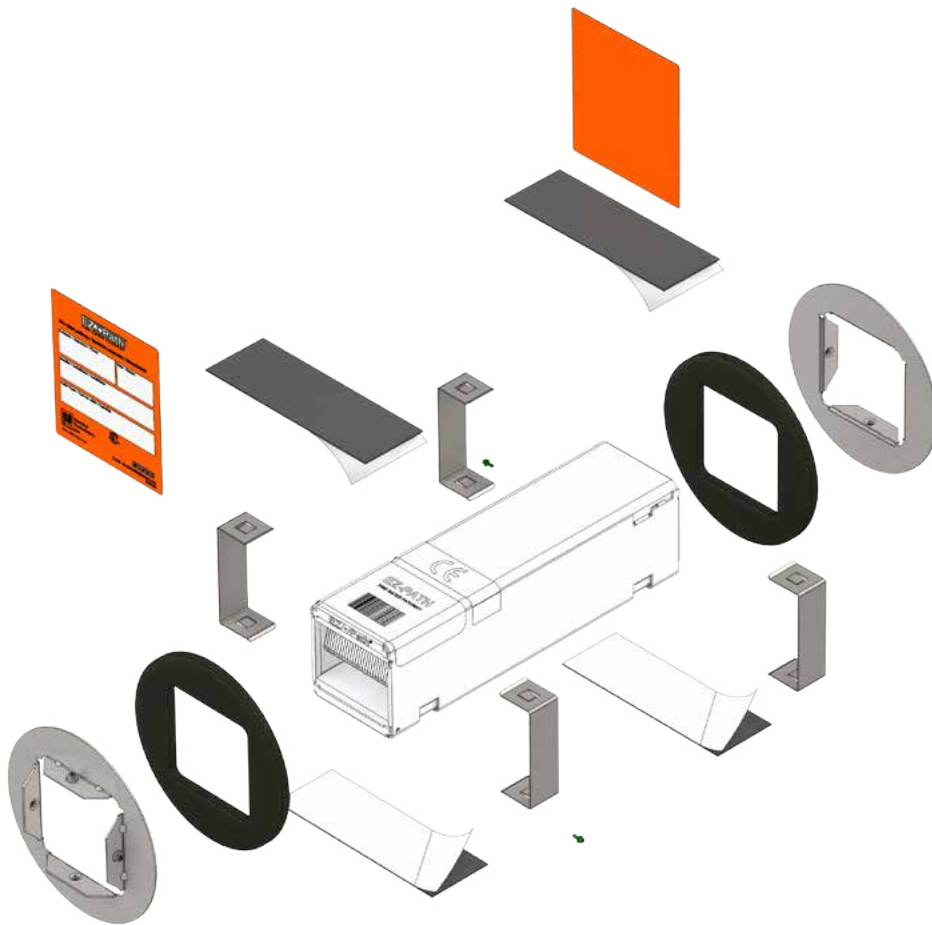
No handling required for fire safety compliance.





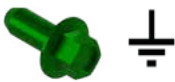
Dimensions

Plate Dimensions: $\varnothing 140 \times 22 \text{ mm}$

Opening Dimensions: $\varnothing 102 \text{ mm}$





A	2X	
B	2X	
C	4X	
D	4X	
E	2X	
F	2X	