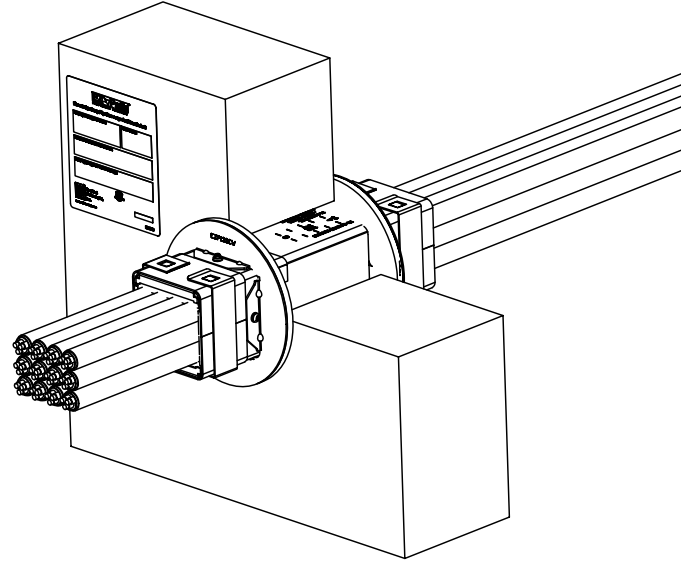


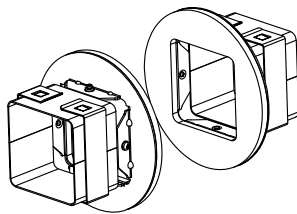
Rigid walls and flexible walls

Wall thickness	Minimum 122 mm
Ø max cable	Ø21 mm
Cable loading	Empty to 100%
Opening size	Ø 102 mm
Performance	EI 120
Fire resistance	EN 1366-3
Certification	ETA - 13/0887

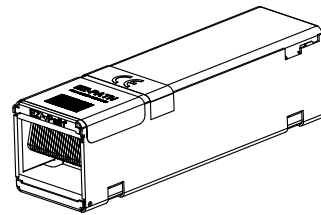


Not at scale. Units in millimeters

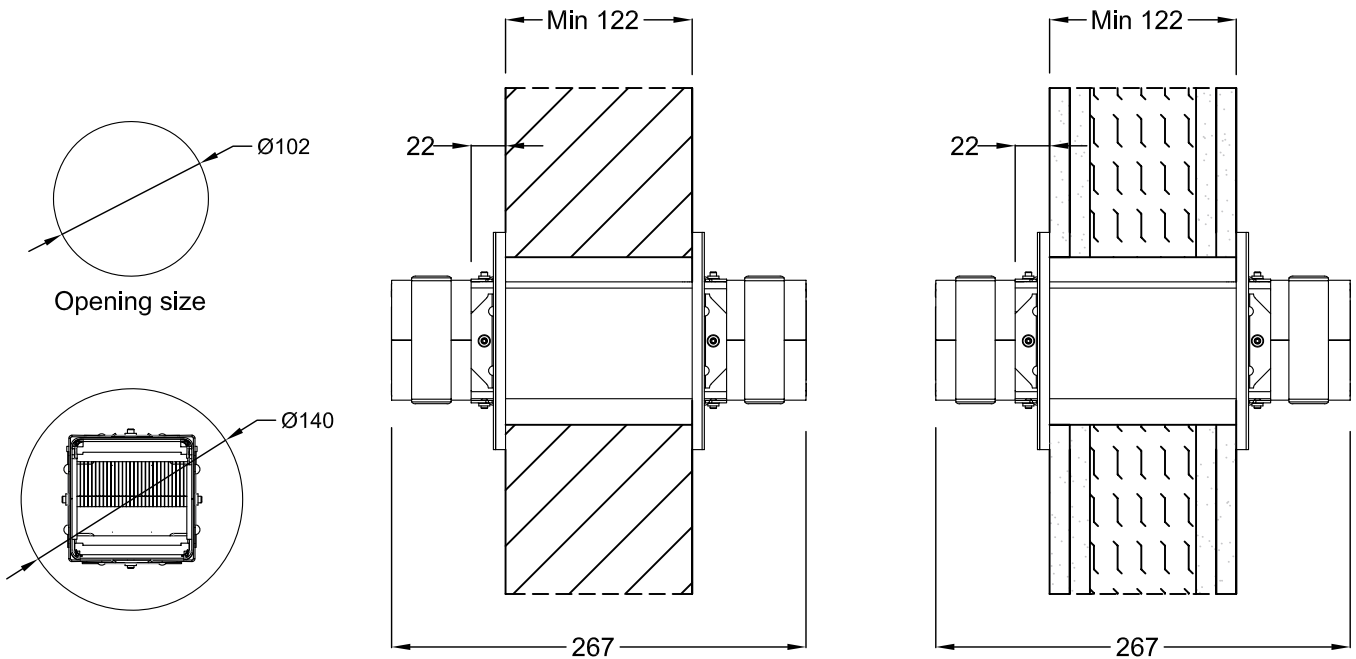
Please refer to STI installation instruction ZIS1084



EZP133CWT

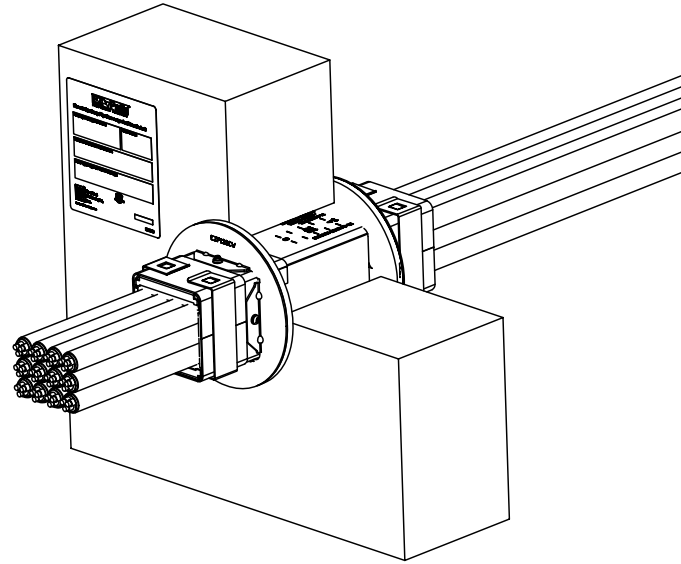


EZD33T

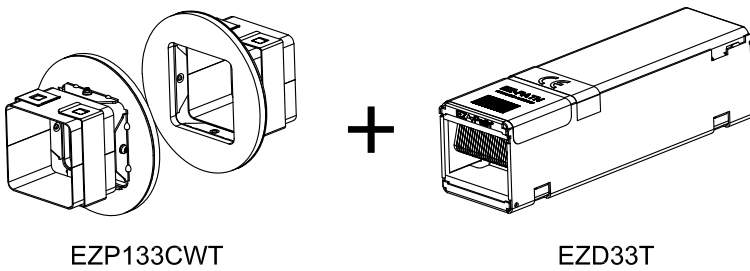


Rigid walls

Wall thickness	Minimum 150 mm
Ø max cable	Ø50 mm
Cable loading	Empty to 100%
Opening size	Ø 102 mm
Performance	EI 120 for max Ø21 mm cables
	EI 60 for max Ø50 mm cables
Fire resistance	EN 1366-3
Certification	ETA - 13/0887



Not at scale. Units in millimeters
Please refer to STI installation instruction ZIS1084



EZP133CWT

EZD33T

