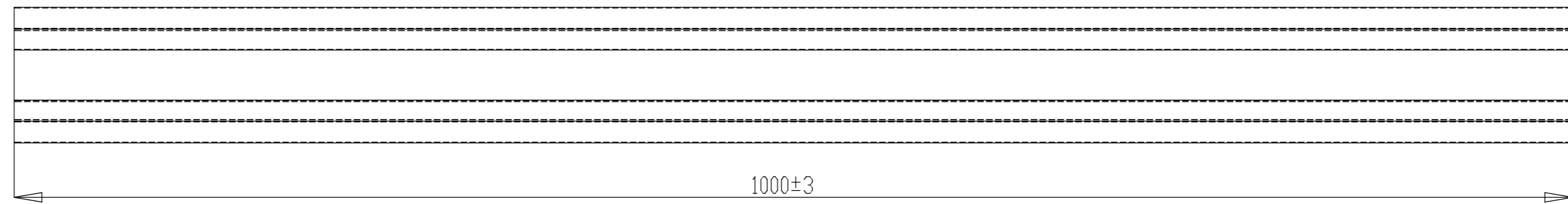
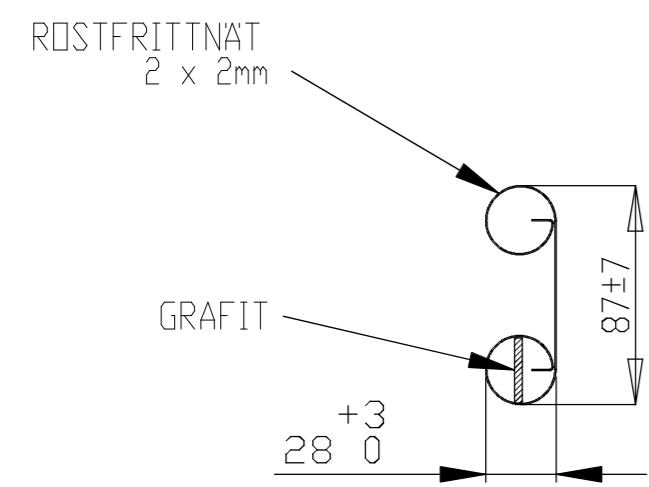
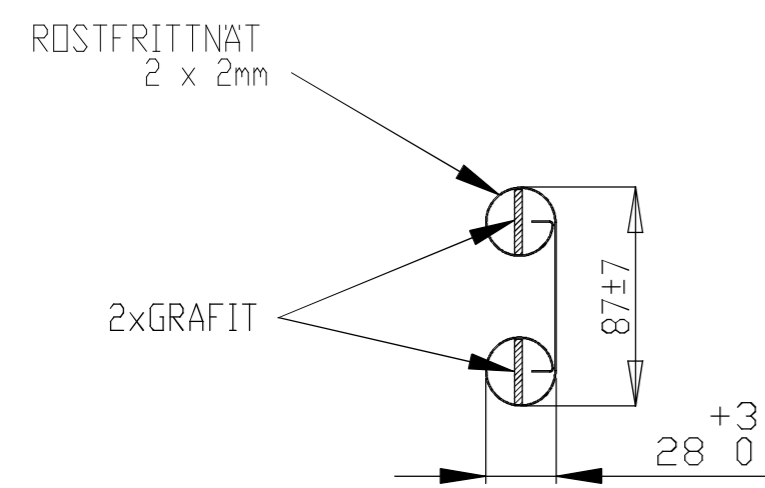


MODELL: EI30/ EI60



MODELL: EI90



UNLESS OTHERWISE SPECIFIED DIMENSIONS ARE IN MILLIMETERS SURFACE FINISH: TOLERANCES: LINEAR: ANGULAR:				FINISH:		DEBUR AND BREAK SHARP EDGES		DO NOT SCALE DRAWING		REVISION	
DRAWN	NAME	SIGNATURE	DATE					TITLE: LUFTSPALTSVENTIL 28x105mm EI30/60, EI90			
CHK'D											
APP'D											
MFG											
QA						MATERIAL:		DWG NO.		A2	
						WEIGHT:		SCALE: 1:3		SHEET 1 OF 1	